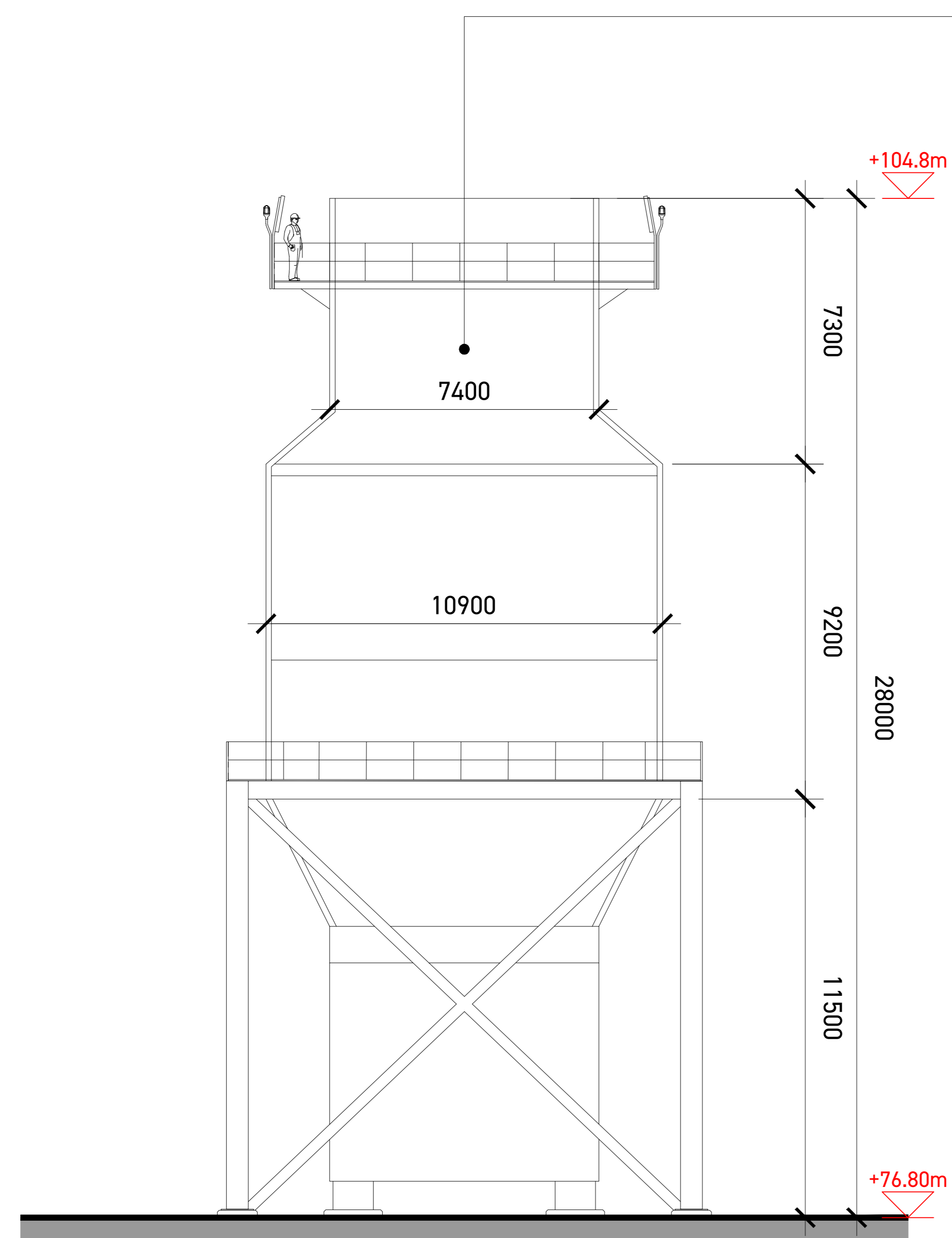
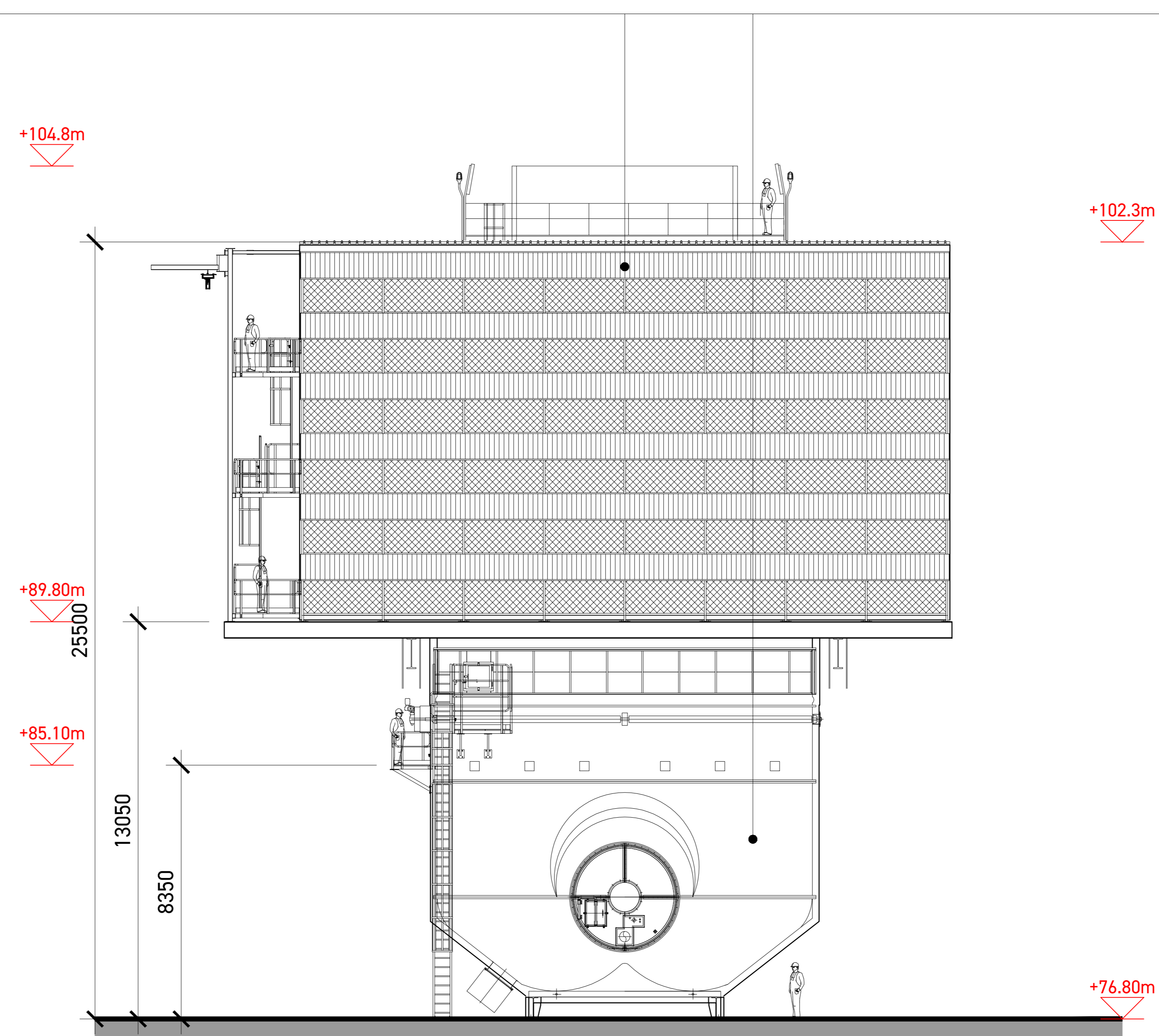


KEY PLAN part 1

GALVANISED STAINLESS STEEL (GREY)



ELEVATION C TO EAST



ELEVATION D TO WEST

- NOTES -

STEEL PROFILE CONSTRUCTION, CONSISTING OF STEEL OUTER PANEL.

FLOOR PLATE TO BE CARBON STEEL OR SIMILAR.

Rev	Description	Date
-----	-------------	------

PLANNING

Client
Kilshane Energy Ltd

Project
POWER STATION
Kilshane, Dublin 11

Date
December 2025

Scale
1:100 @ A0

Drawing
GAS TURBINE
ELEVATION C & D

Job Nr	Drawing Nr	Rev
165	PL.B.05	

